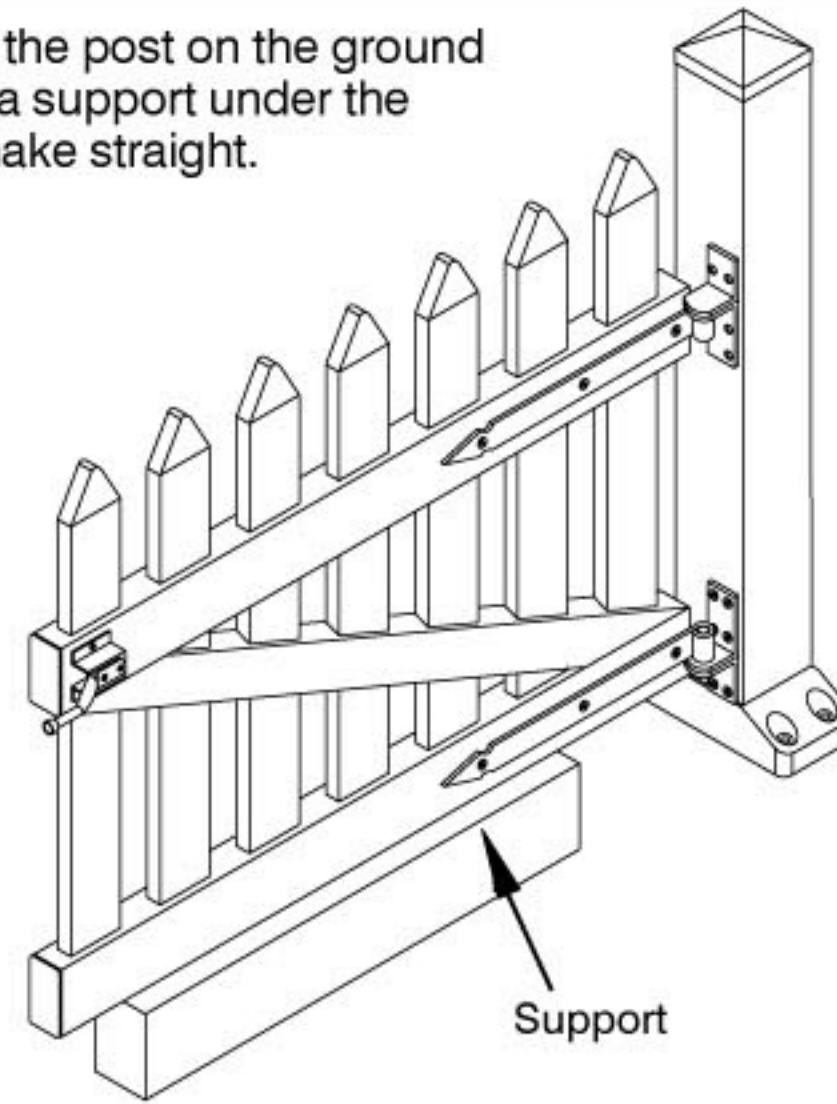
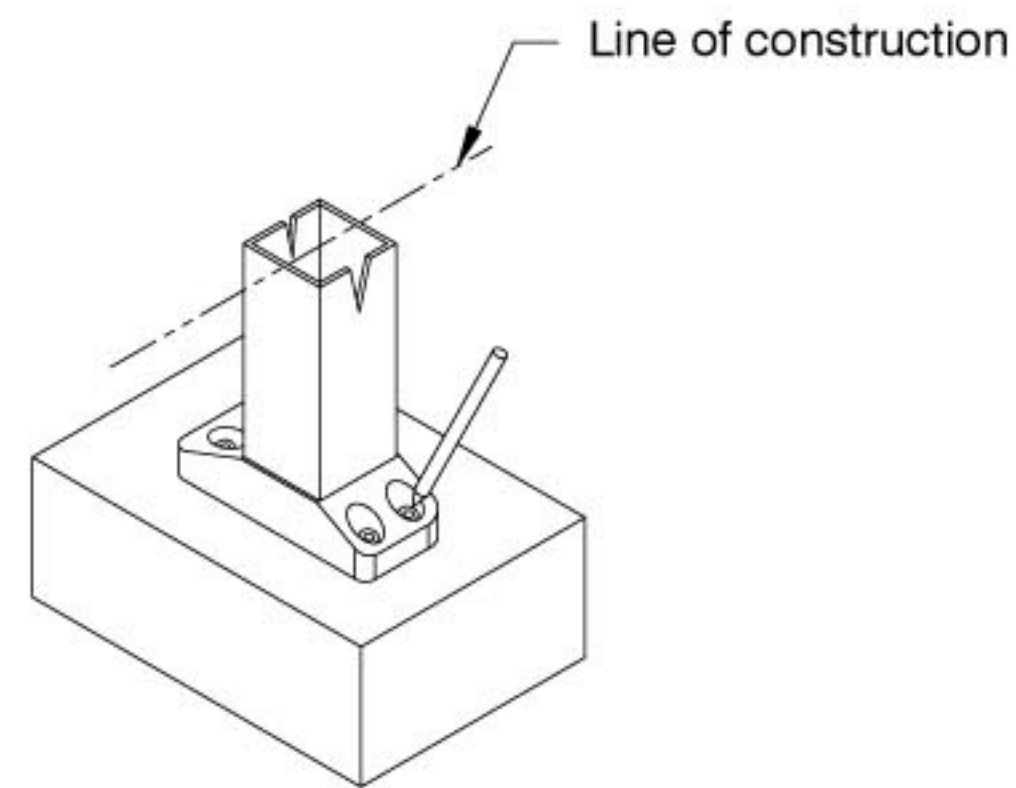


GATE ASSEMBLY INSTRUCTIONS

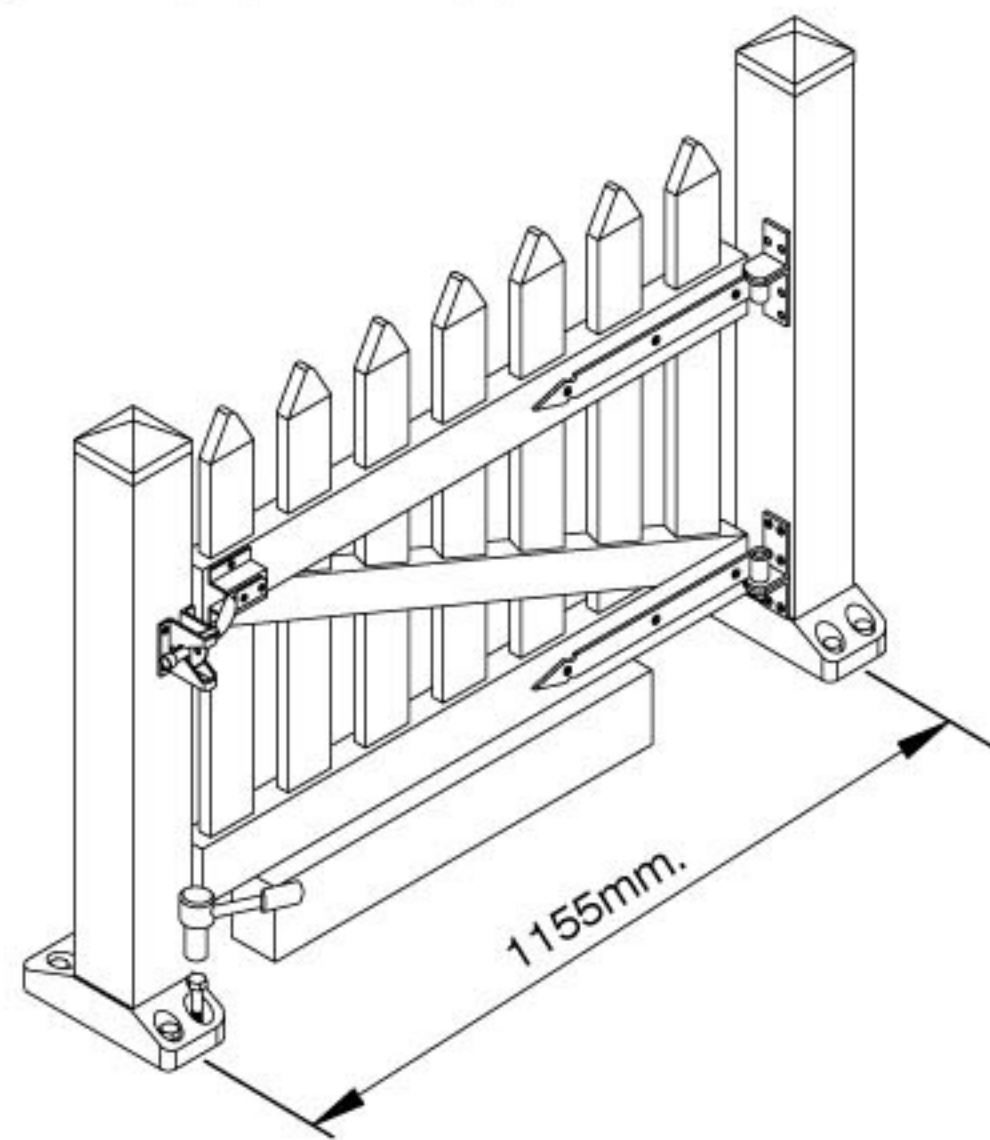
1. Place the post on the ground and give a support under the gate to make straight.



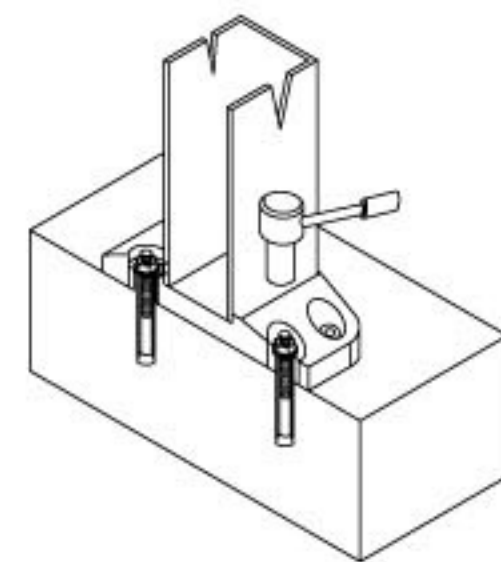
2. Place the post on the ground and mark the holes. Use dia. 12mm. drill to make the holes at 60mm. depth.



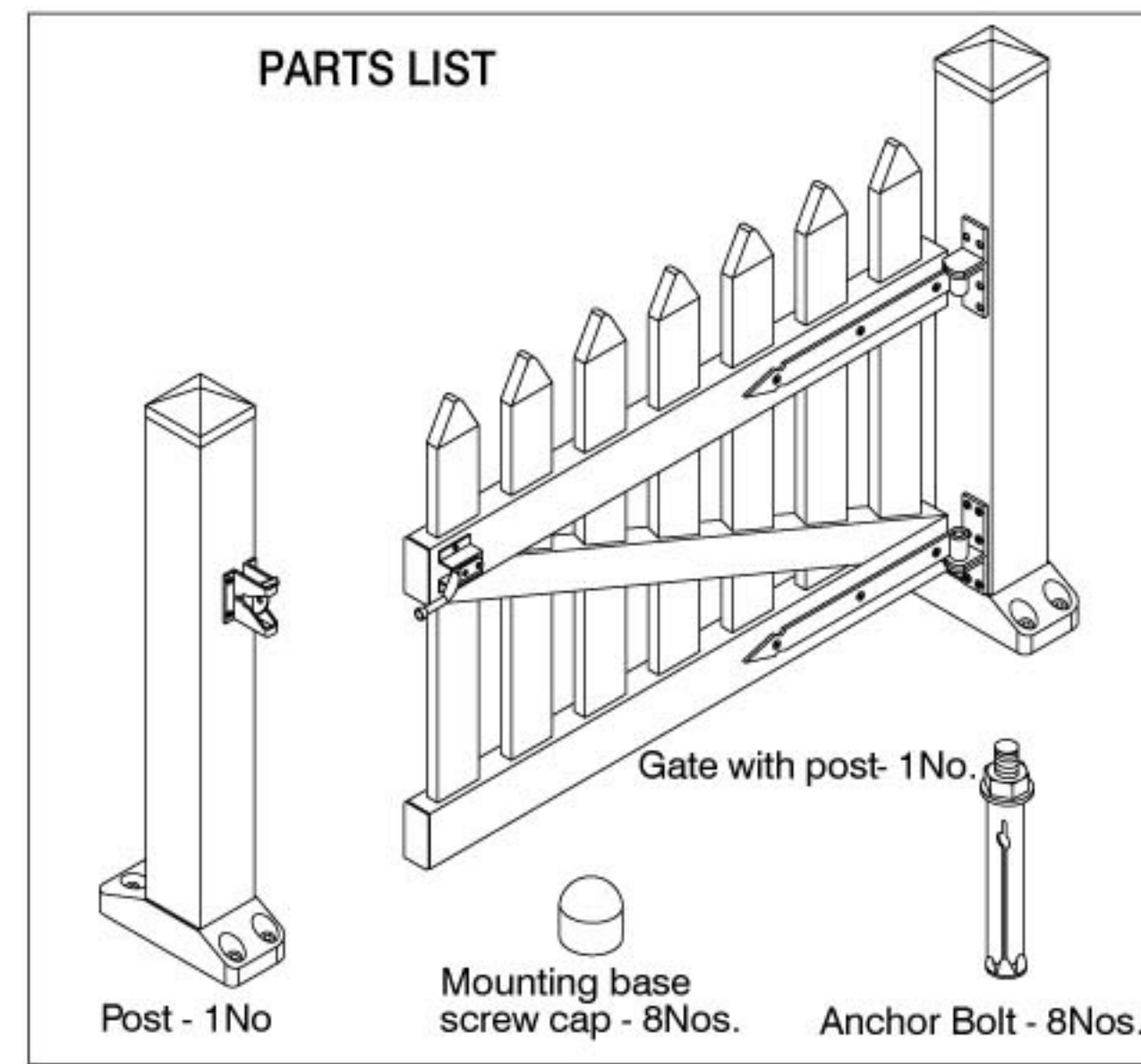
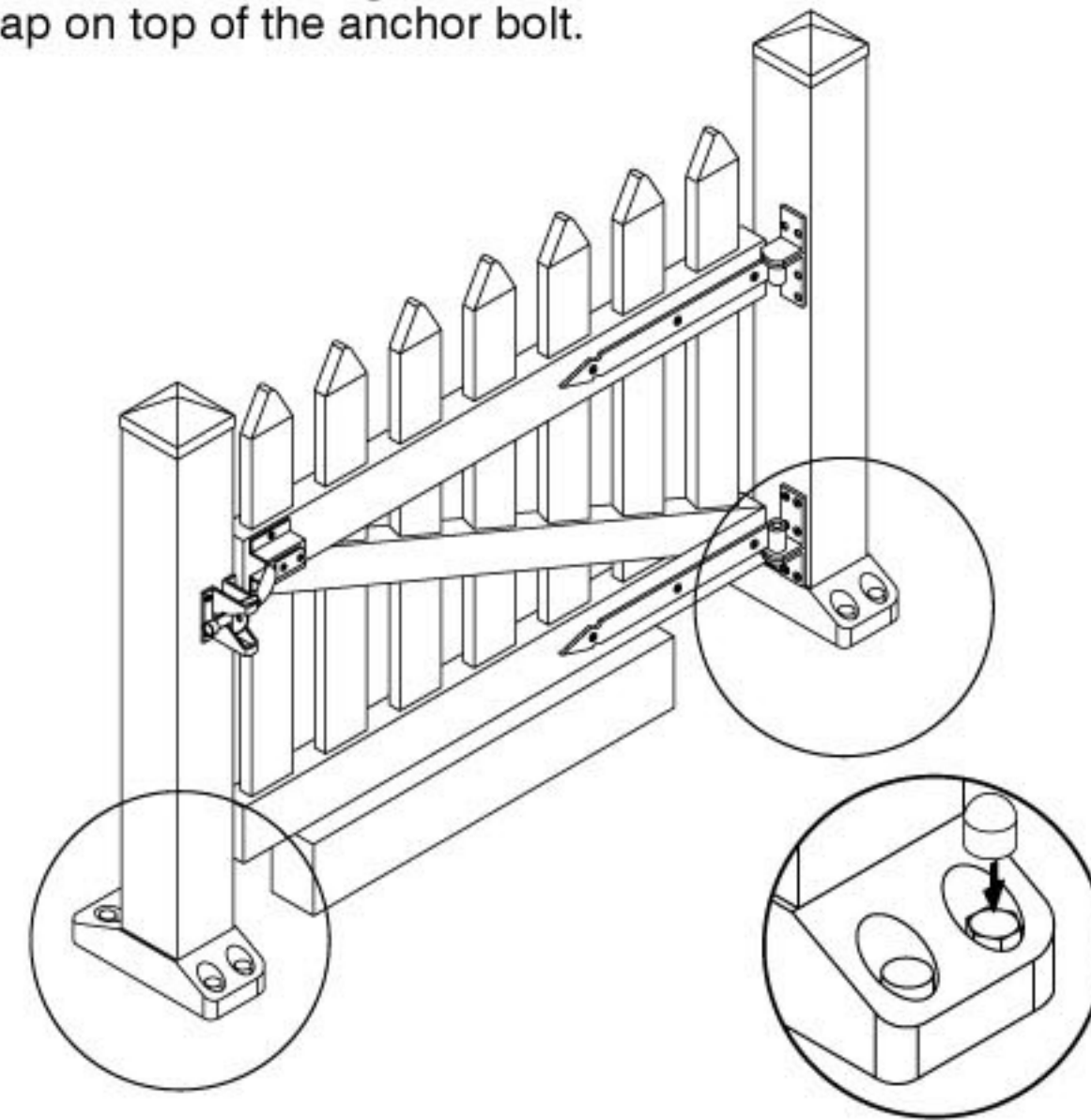
4. Fix the other post at the distance of 1155mm. with anchor bolt as shown.



3. Place the post on the holes and insert the anchor bolt through the mounting base and fix the anchor bolt.



5. Fix the mounting base screw cap on top of the anchor bolt.



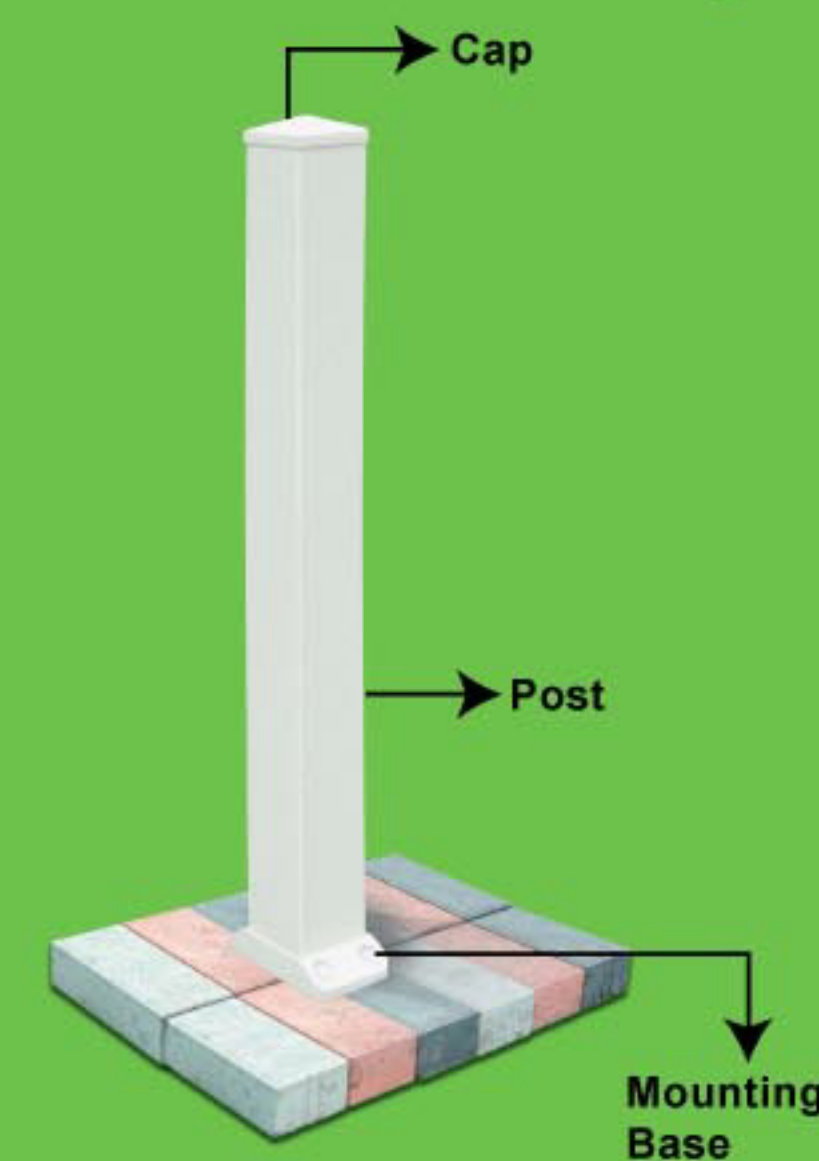
DURAMAX
 ALL PURPOSE FENCING SYSTEM

Group
HARVAL
 MANUFACTURING TECHNOLOGIES

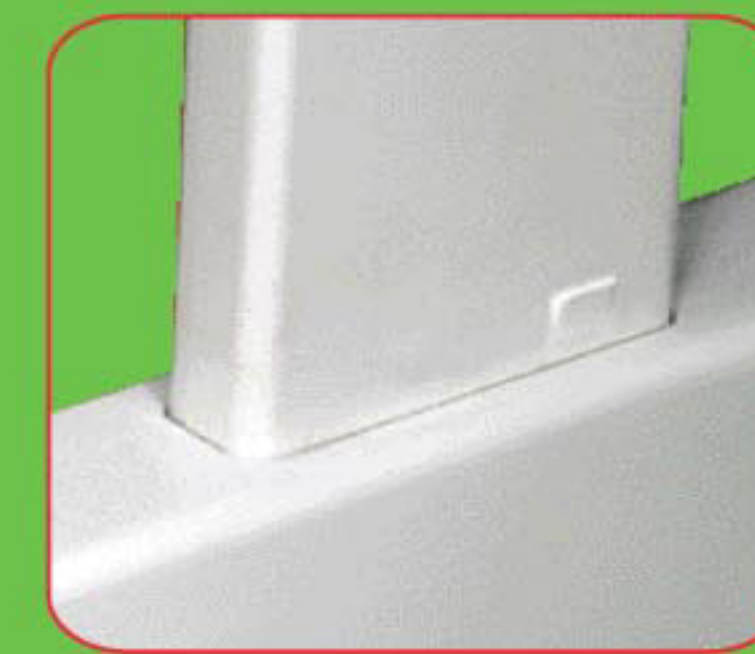
Do-it-Yourself
Vinyl Fencing System



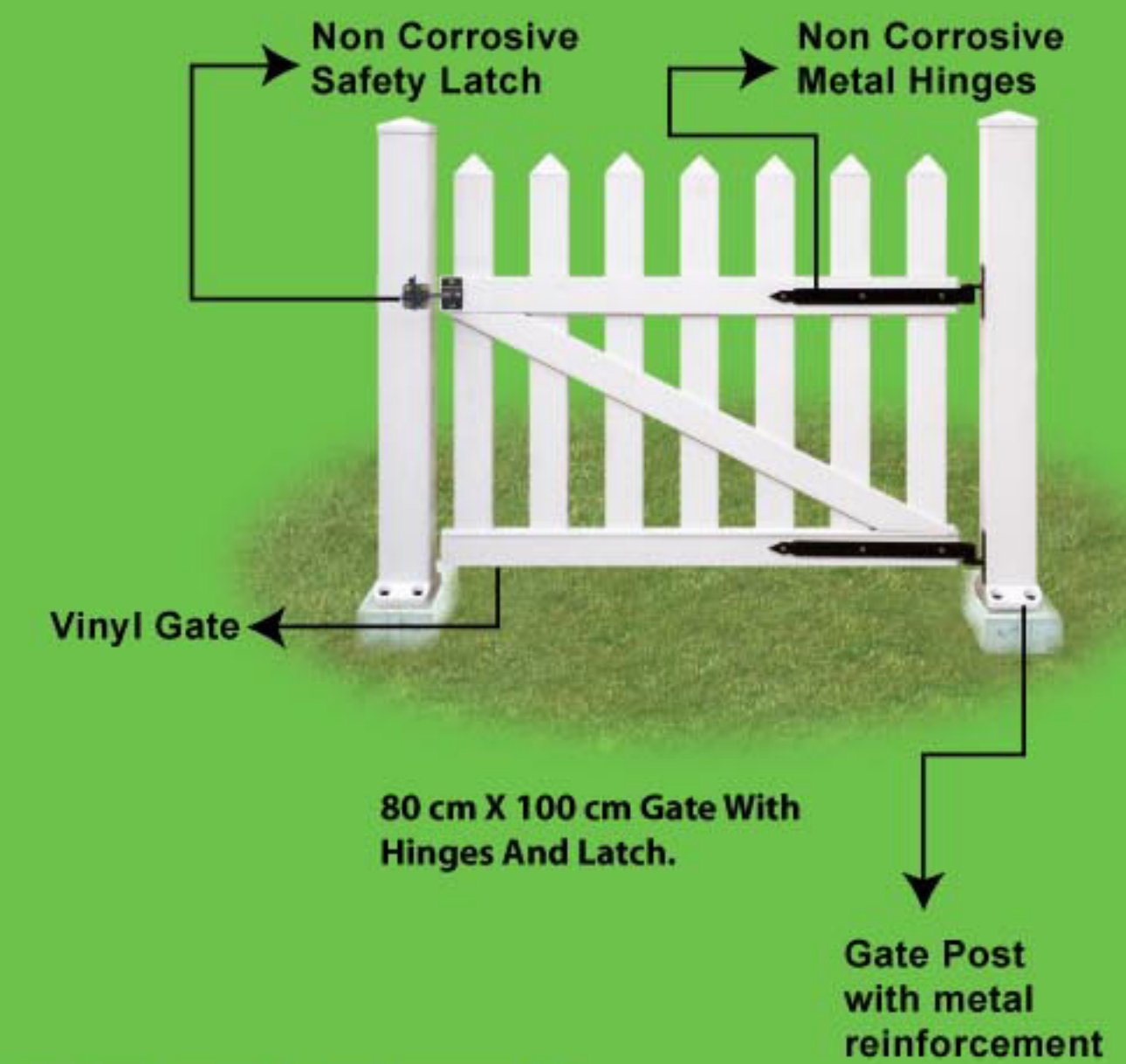
Easy-to-assemble 80x190cm complete fence



10cm x 10cm x 90cm Post Includes Mounting Base & Top Cap.



New and easy assembly without tools

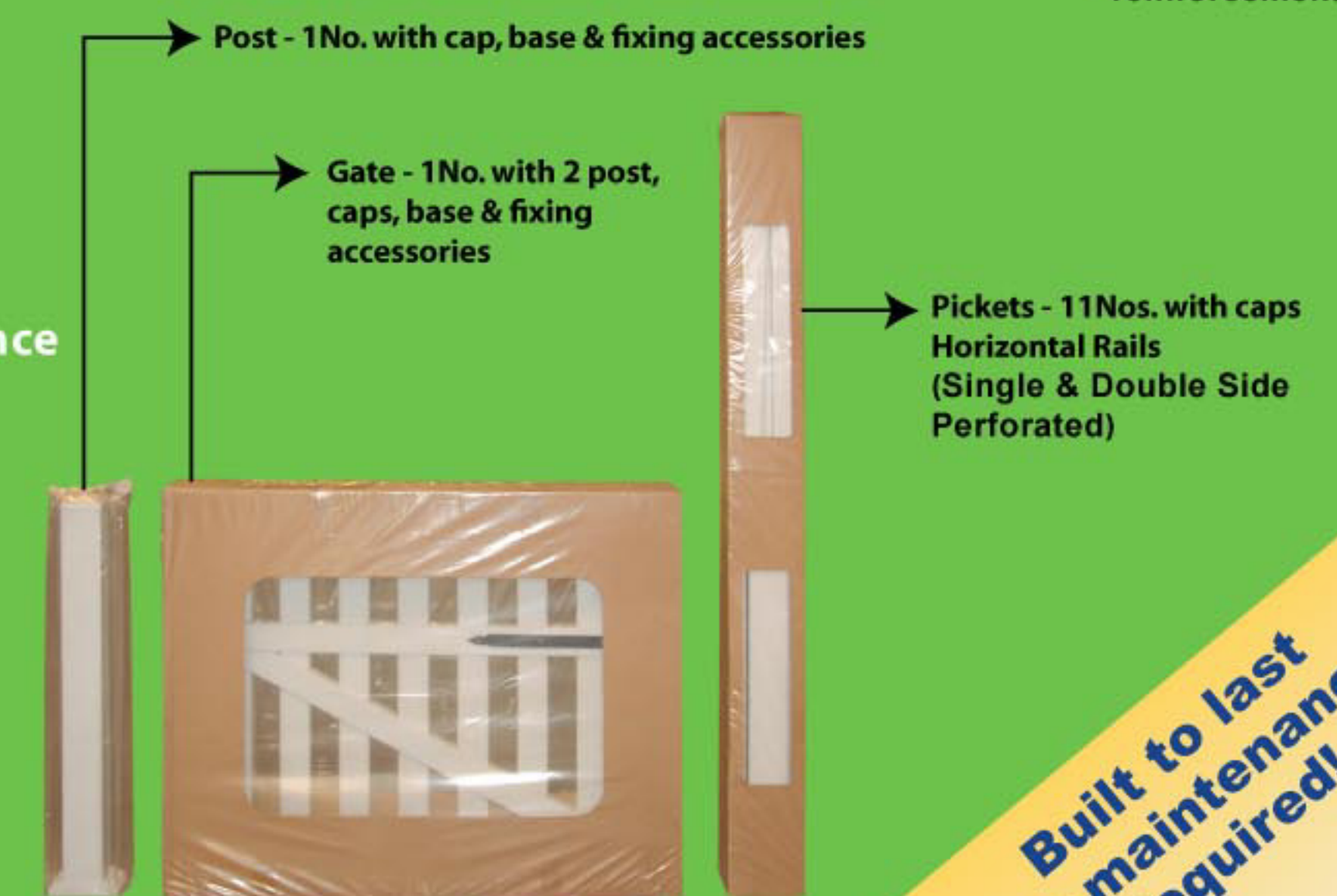


80 cm X 100 cm Gate With Hinges And Latch.

Gate Post with metal reinforcement

FEATURES:

- All Weather Durable PVC Material
- Ideal for Harsh Gulf Weather Conditions
- Superior UV Resistance
- Neutral Color Suitable For Any Ambience
- Fire Retardant
- Easy Cleaning
- Built to Last
- No Maintenance
- Rust and Rot Proof
- Maintenance Free
- Quick and Easy D.I.Y Installation
- Never Needs Painting
- Gate Includes Safety Latch



Packaging & Distribution

**Built to last
 no maintenance required!**

Manufactured by:
IP INTERPLAST COMPANY LIMITED
 Building Materials Division
 P. O.Box: 4679, Sharjah, U.A.E. Tel : +971 6 539 5577, Fax: +971 6 539 5775
 E - mail : intrplst@emirates.net.ae